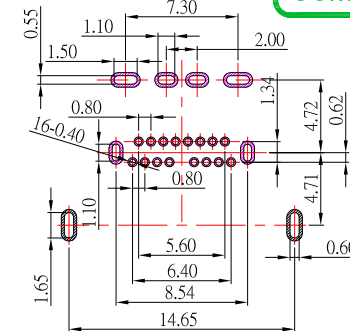




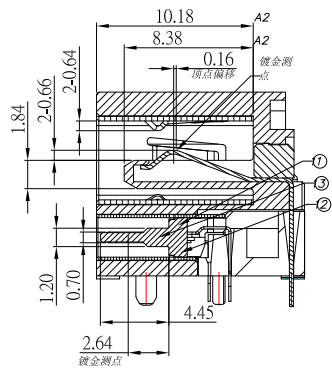
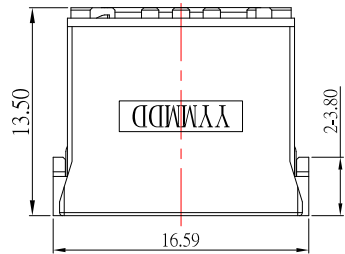
CMB-16F-UA-FASx-S410

鍍層厚度：

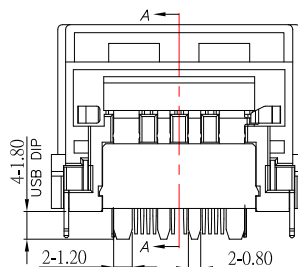
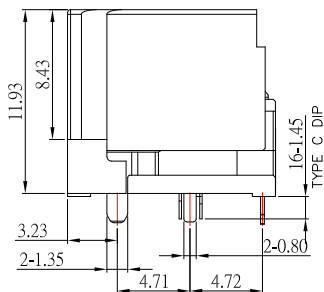
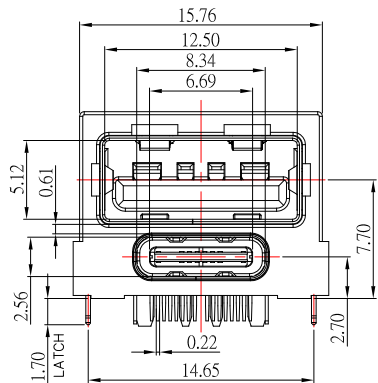
Blank : 1u"
2 : 15u"
3 : 30u"



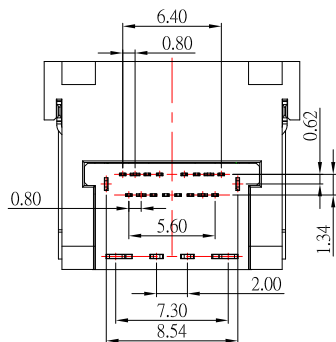
P.C.B. LAYOUT



截面 A-A



NO.	DESCRIPTION	QTY.	MATERIAL	TREATMENT
③	TYPE C 中央片	1	SUS	
②	TYPE C FMD 胶芯	1	LCP	MOLDED COLOR: 橙色
①	TYPE C LMD 胶芯	1	LCP	MOLDED COLOR: 橙色
⑩	主体塞子胶芯	1	LCP	MOLDED COLOR: 橙色
⑨	USB 塞子胶芯	1	LCP	MOLDED COLOR: 橙色
⑧	TYPE C MD2	1	LCP	MOLDED COLOR: 橙色
⑦	TYPE C 下端子	8	C18400	Au ON TONTACT AREA; MATTE Sn ON SOLDERAREA;
⑥	TYPE C 上端子	8	C18400	Au ON TONTACT AREA; MATTE Sn ON SOLDERAREA;
⑤	TYPE_C SHELL	1	SUS	ALL AREA Ni.
④	USB LATCH	2	SUS	ALL AREA Ni.
③	USB2 PIN	4	PHOSPHOR BRONZE	Au ON TONTACT AREA; MATTE Sn ON SOLDERAREA;
②	USB SHELL	1	SUS	
①	HOUSING	1	LCP	MOLDED COLOR: 橙色



NOTES:

1.ELECTRICAL CHARACTERISTICS(USB A端) :

- 1-1.CURRENT RATING: 7A,
- 1-2.INITIAL CONTACT RESISTANCE: 30MΩ Max;
- 1-3.INSULATION RESISTANCE: 1000MΩ Min. 500V/DC
- 1-4.DIELECTRIC WUTHSTANDING VOLTAGE: 500V AC for MIUNTE
- 1-5.OPERATING TEMPERATURE: -40°C +125°C;

2.MECHANICAL CHARACTERISTICS(USB A端) :

- 2-1.MATING FORCE: 6 ~25N;
- 2-2.UNMATING FORCE: 10 ~25N(INITIAL),
8 ~25N(AFTER 3000 CYCLES);
- 2-3.FREQUENCY: 20 ~30次/min, 3000 CYCLES;

3.ELECTRICAL CHARACTERISTICS(TYPE C端):

- 3-1.CURRENT RATING: VBUS AND GND CONTACTS RATED AT 7A,
- 3-2.INITIAL CONTACT RESISTANCE: 30MΩ Max;
- 3-3.INSULATION RESISTANCE: 100MΩ Min;
- 3-4.DIELECTRIC WUTHSTANDING VOLTAGE: 100V AC ONE MINUTE.
- 3-5.OPERATING TEMPERATURE: -40°C +125°C;

4.MECHANICAL CHARACTERISTICS(TYPE C端):

- 4-1.MATING FORCE: 5 ~20N;
- 4-2.UNMATING FORCE: 8 ~20N(INITIAL),
6 ~20N(AFTER 10000 CYCLES);
- 4-3.FREQUENCY: 200±50 CYCLES/HOUR, 10000 CYCLES;

CONTACT 建倚科技股份有限公司
CONTACT TECHNOLOGY CORP.

TOLERANCE UNLESS OTHERWISE STATED:
Up to 5 ±0.2
Above 5 ~ 15 ±0.3
Above 15 ~ 30 ±0.4
Above 30 ~ 50 ±0.5
Angle ±0.3°

3RD. ANGEL'S



UNITS MM

DRAWN BY:	DATE	MAT'L	TITLE	CONNECTOR
Jack Lu	12/06/23			
CHECKED BY:	DATE	FINISH	MODLE	90度 TYPE C 母座 + USB 2.0 母座 2 合一 H 11.93
Jacky Chen	12/06/23			
APPROVED BY:	DATE	SCALE	DWG NO.	CMB-16F-UA-FASx-S410
Tony Kao	12/06/23	1 : 1	PART NO.	CMB-16F-UA-FASx-S410
		SHEET NO.	1 of 1	SIZE A4
				VER R